

CLEAR-TRAC[®] COMPLETE
Disposable Cannula System



- Threaded design permits easy insertion and provides excellent retention
- Integrated triple-seal design and suture management system
- Transparent body for easy visualization

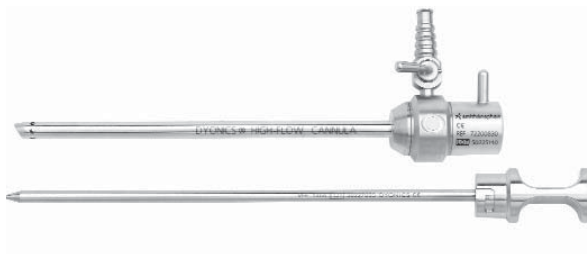
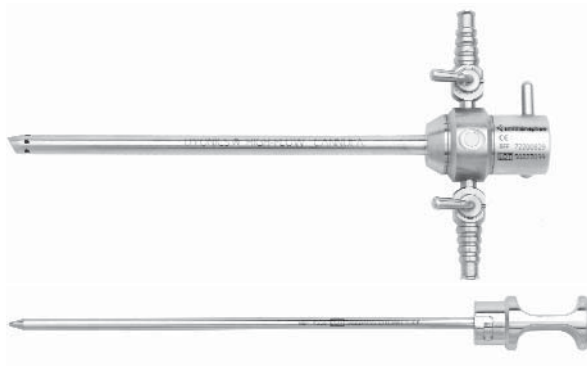
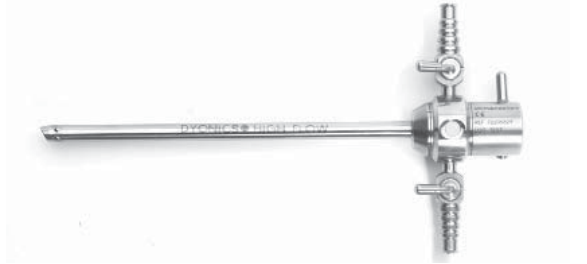
CLEAR-TRAC FLEXIBLE
Disposable Cannula System



- Flexible body material
- Integrated triple-seal design and suture management system
- Capped flow port

Cannulas, Trocars and Obturators

Diagnostic Cannula Sets



REF	Description
72200829*	6.0 mm High Flow Diagnostic Cannula, double-valve, rotatable
72200830	6.0 mm High Flow Diagnostic Cannula, single-valve, rotatable
8006653	O-ring for both cannulae
72201439	6.0 mm High Flow Diagnostic Cannula, single-valve, rotatable, for use with Stryker™ scopes
72201440	6.0 mm High Flow Diagnostic Cannula, double-valve, rotatable, for use with Stryker scopes
72201627	6.0 mm High Flow Diagnostic Cannula, single-valve, rotatable, for use with Storz™ scopes
72201628	6.0 mm High Flow Diagnostic Cannula, double-valve, rotatable, for use with Storz scopes
72201693	5.0 mm Medium Flow Diagnostic Cannula, single-valve, rotatable
72201712*	5.0 mm Medium Flow Diagnostic Cannula, double-valve, rotatable
72201751	2.9 mm Diagnostic Cannula, double-valve, rotatable for use with 2.7 mm short scope






3868	6.0 mm High Flow Diagnostic Cannula Set, double-valve, rotatable
Set includes:	
72200829	6.0 mm High Flow Diagnostic Cannula, double-valve, rotatable
4356	Obturator, conical tip

7204711	6.0 mm High Flow Diagnostic Cannula Set, single-valve, rotatable
Set includes:	
72200830	6.0 mm High Flow Diagnostic Cannula, single-valve, rotatable
4356	Obturator, conical tip

* Item shown

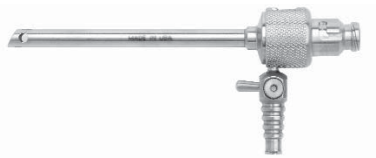


Cannulas, Trocars and Obturators

Operative Cannulas


	REF	Description
	3175*	4.5 mm Operative Cannula, no distal holes, for 4.0 mm arthroscopes with light post on OPPOSITE SIDE of direction of view
	3673	4.5 mm Operative Cannula, distal holes, for 4.0 mm arthroscopes with light post on OPPOSITE SIDE of direction of view
	2704*	4.5 mm Operative Cannula, distal holes, for 4.0 mm arthroscopes with light post on SAME SIDE of direction of view
	3176*	5.5 mm Operative Cannula, no distal holes, for 4.0 mm arthroscopes with light post on OPPOSITE SIDE of direction of view
	7204708	5.5 mm Operative Cannula, distal holes, for 4.0 mm arthroscopes with light post on OPPOSITE SIDE of direction of view
	2711*	5.5 mm Operative Cannula, no distal holes, for 4.0 mm arthroscopes with light post on SAME SIDE of direction of view
	⚙️ 6900074	4.0 mm Operative Cannula for arthroscopes with light post on SAME SIDE of direction of view

Operative Cannulas with Fluid Seals

For 4 mm DYONICS® Arthroscopes with light post on OPPOSITE SIDE of direction of view, J-Locking interface.

	7205366*	5.5 mm Cannula, outflow valve, distal holes, with fluid seal
	7205368	5.5 mm Cannula, outflow valve, no distal holes, with fluid seal
	7205367	5.5 mm Cannula, finger post, distal holes, with fluid seal
	7205369	5.5 mm Cannula, no distal holes, with fluid seal

Operative Cannula Accessories

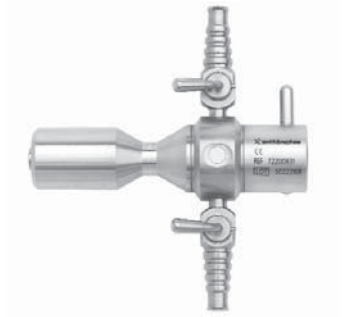
	7204864	Infusion Adaptor with valve for inflow or outflow. Attaches to cannulas REF 3673, 7204708, 2704, 2711, 3175 and 3176
	4536	Fluid seals, package of 25
	72200027	Fluid seals, sterile package of 25

* Item shown

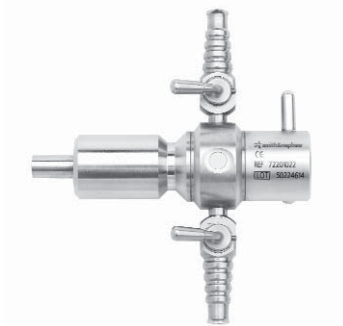
⚙️ Special, Made to Order products are available to meet the individual needs of surgeons. Please appreciate that longer lead time for delivery should be expected. For more information, please contact your sales representative or Customer Service.

Cannulas, Trocars and Obturators

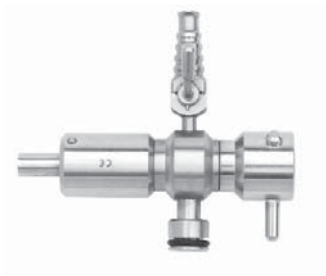
Irrigation Extenders



REF	Description
72200027	Fluid seals
72200831*	High Flow Irrigation Extender, double-valve, rotatable
72200832	High Flow Irrigation Extender, single-valve, rotatable
72201021	High Flow Irrigation Extender for Cannulas with fluid seals, single-valve, rotatable
72201022*	High Flow Irrigation Extender for Cannulas with fluid seals, double-valve, rotatable



InteliJET® Irrigation Extenders



7205370*	Irrigation Extender for cannulas, with fluid seals, with outflow valve
----------	--









7205371*	Irrigation Extender for cannulas, with fluid seals, rotatable
----------	---

*Item shown

Cannulas, Trocars and Obturators

Obturators and Trocar

	REF	Description
	7205376	Obturator, blunt tip, fits all 4.5 mm, 6.0 mm and 6.0 mm diagnostic cannulas
	7204812	Obturator, blunt tip, fits all 6.0 mm diagnostic cannulas with Storz™ interface
	4356	Obturator, conical tip, fits all 4.5 mm and 5.8 mm diagnostic cannulas
	72200402	Obturator, conical tip, 4.5 mm with 1.5 mm, fits all 4.5 mm and 6.0 mm diagnostic cannulas
	7207701	Obturator, conical tip, fits all 6.0 mm diagnostic cannulas with Stryker™ interface
	7204811	Obturator, conical tip, fits all 6.0 mm diagnostic cannulas with Storz interface
	7209965	Obturator, conical tip, fits all 5.0 mm diagnostic cannulas
	1992*	4.5 mm Obturator, conical tip, fits all 4.5 mm operative cannulas
	2209*	5.5 mm Obturator, conical tip, fits all 5.5 mm operative cannulas
	7205783	5.5 mm Obturator, conical tip, for cannulas with fluid seals
	7205377	Trocar, sharp tip, fits all 4.5 mm and 6.0 mm diagnostic cannulas
	7204810	Trocar, sharp tip, fits all 6.0 mm diagnostic cannulas with Storz interface
	1995*	4.5 mm Trocar, sharp tip, fits all 4.5 mm operative cannulas
	7202210	5.5 mm Trocar, sharp tip, fits all 5.5 mm operative cannulas
	3801*	Switching Stick, 4.3 mm x 13"
	⚙️ 6900734	Switching Stick, 2.9 mm (for REF 3781)
	⚙️ 6900295Z	Switching Stick for 3.0 mm
	3802	Switching Sleeve, 4.5 mm x 10"
	2787	Wissinger Rod, 4.5 mm
	7205395	Nitinol Guide Wire, 1.2 mm x 45 cm, package of 3
	⚙️ 72202791	3.0 mm Luer Cannula
Outflow Cannula Set		
	7204910	Outflow Cannula Set
	Set includes:	
	7204863	3.0 mm Outflow Cannula with distal holes
	7204865	Obturator, conical tip
	⚙️ 6900365	3.0 mm Trocar (SOD)

* Item shown

⚙️ Special, Made to Order products are available to meet the individual needs of surgeons. Please appreciate that longer lead time for delivery should be expected. For more information, please contact your sales representative or Customer Service.

Cannulas, Trocars and Obturators

Operative Cannula Sets – 4.5 mm



REF	Description
3709	4.5 mm Operative Cannula Set for 4.0 mm arthroscopes with light post on OPPOSITE SIDE of direction of view
Set includes:	
3673	4.5 mm Operative Cannula (2 per set)
1995	4.5 mm Trocar, sharp tip
1992	4.5 mm Obturator, conical tip
3708	Irrigation Extender, single-valve, fixed
1986	Infusion Adaptor



2701	4.5 mm Operative Cannula Set for 4.0 mm arthroscopes with light post on SAME SIDE of direction of view
Set includes:	
2704	4.5 mm Operative Cannula (2 per set)
1995	4.5 mm Trocar, sharp tip
1992	4.5 mm Obturator, conical tip
2705	Irrigation Extender, single-valve, fixed
1986	Infusion Adaptor



4188	4.5 mm Rotatable Operative Cannula Set for 4.0 mm arthroscopes with light post on OPPOSITE SIDE of direction of view
Set includes:	
3673	4.5 mm Operative Cannula (2 per set)
1995	4.5 mm Trocar, sharp tip
1992	4.5 mm Obturator, conical tip
3814	Irrigation Extender, single-valve, rotatable
1986	Infusion Adaptor
⚙️ 6900391Z	4.5 mm Cannula with 6.0 mm distal holes

Cannulas, Trocars and Obturators

Operative Cannula Sets – 5.5 mm



REF	Description
3112	5.5 mm Operative Cannula Set for 4.0 mm arthroscopes with light post on SAME SIDE of direction of view

Set includes:

2711	5.5 mm Operative Cannula (2 per set)
7202210	5.5 mm Trocar, sharp tip
2209	5.5 mm Obturator, conical tip
1986	Infusion Adaptor



7204709	5.5 mm Operative Cannula Set for 4.0 mm arthroscopes with light post on OPPOSITE SIDE of direction of view
---------	--

Set includes:

7204708	5.5 mm Operative Cannula (2 per set)
7202210	5.5 mm Trocar, sharp tip
2209	5.5 mm Obturator, conical tip
1986	Infusion Adaptor



1986	Infusion Adaptor
⚙️ 72200623	Infusion Adaptor with FMS inflow port (SOD)

Hip Arthroscopy Set

Cannulas, Obturators and Irrigation Extenders



ARTHROGARDE® Hip Access Cannulas are designed to be atraumatic, featuring smooth ends for optimal safety and high-strength design for enhanced durability.

The uniquely designed rounded ends provide a smooth surface to help protect soft tissue when performing hip arthroscopy. Plus, they're extra strong to prevent bending or wear and tear over time. Combine with our CROSSTRAC® Hip Guide System for accurate trajectories and first-time access to the hip joint.

REF	Description
-----	-------------

ARTHROGARDE Hip Access Cannulas

72201741	4.5 mm ARTHROGARDE Hip Access Cannula, green (CROSSTRAC Hub)
72201742	5.0 mm ARTHROGARDE Hip Access Cannula, blue (CROSSTRAC Hub)
72201743	5.5 mm ARTHROGARDE Hip Access Cannula, red
7209345	3.0 mm Cannula, Inflow
72201590	ARTHROGARDE slotted cannula
⚙️ 7210393	7.5 mm Cannula, slotted (4.5 mm)

Arthroscopic Hip Set Instrumentation – Obturators

72200884	4.5 mm Obturator, Conical, green, used with REF 72201741
72200885	4.5 mm Obturator, Cannulated, green, used with REF 72201741
72200096	4.5 mm Obturator, Cannulated, green, large Delrin handle, used with REF 72201741
72200882	5.0 mm Obturator, Conical, blue, used with REF 72201742
72200883	5.0 mm Obturator, Cannulated, blue, used with REF 72201742
72200097	5.0 mm Obturator, Cannulated, blue, large Delrin handle, used with REF 72201742
72200880	5.5 mm Obturator, Conical, red, used with REF 72201743
72200881	5.5 mm Obturator, Cannulated, red, used with REF 72201743
72200098	5.5 mm Obturator, Cannulated, red, large Delrin handle, used with REF 72201743
7207751	5.5 mm Obturator, long, Cannulated, used with disposable Cannula REF 7205360
7210392	5.5 mm Obturator, Cannulated, used with slotted cannula REF 72201590
7209349	Obturator for 3.0 mm cannula
72201355	Reuseable Obturator for 5.7 mm Flexible Cannula, used with REF 7205360, 5.7 mm cannula
7207934	Hip Arthroscopy System Sterilization Tray (21" x 10" x 3.5")

Arthroscopic Hip Set Instrumentation – Irrigation Extenders

72202448	J-SNAP quick release Irrigation Extenders, single valve
72202449	J-SNAP quick release Irrigation Extenders, double valve
⚙️ 72200083	Irrigation Extender, rotatable, double-valve
⚙️ 72200084	Irrigation Extender, rotatable, single-valve
7209347	Irrigation Extender with InteliJET® Inflow
7209348	Irrigation Extender with InteliJET Inflow and Valve
72200004	Irrigation Extender, rotatable, with InteliJET inflow
7210224	Irrigation Extender, rotatable, with InteliJET Inflow and Valve
72200026	Hip Fluid Seal Adaptor, without valve
⚙️ 72200027	Fluid Seal (inner/outer), sterile, package of 25

Small Joint Cannula Sets

Small Joint Cannula Sets

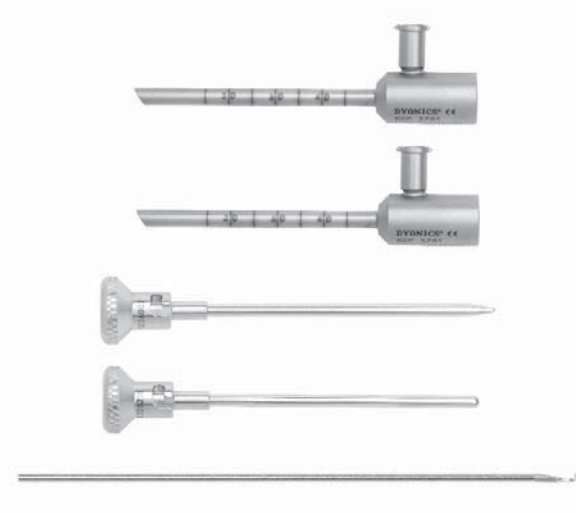
REF	Description
4294	2.2 mm Operative Cannula Set for 1.9 mm SHORT SCOPE with light post on OPPOSITE SIDE of direction of view
Set includes:	
3865	2.2 mm Short Cannula, with flow port
3866	2.2 mm Short Trocar, sharp tip
3867	2.2 mm Short Obturator, conical tip
3312	TMJ/Wrist Probe



3713	2.9 mm Operative Cannula Set for 2.7 mm LONG SCOPE with light post on OPPOSITE SIDE of direction of view
Set includes:	
3672	2.9 mm Short Cannula with finger post (2 per set)
3785	2.9 mm Short Trocar, sharp tip
3807	2.9 mm Short Obturator, conical tip
3671	Irrigation Extender, single-valve, fixed
3696	Infusion Adaptor

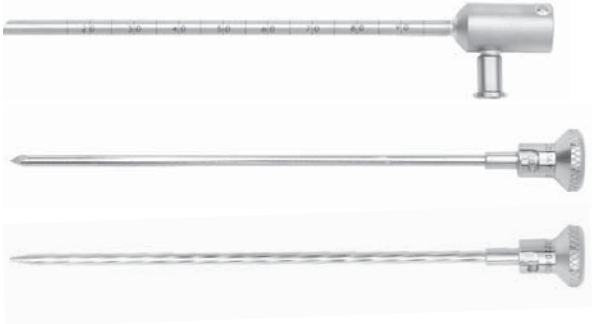


3800	2.9 mm Operative Cannula Set for 2.7 mm SHORT SCOPE with light post on OPPOSITE SIDE of direction of view
Set includes:	
3781	2.9 mm Short Cannula with flow port (2 per set)
3807	2.9 mm Short Obturator, conical tip
3786	2.9 mm Short Obturator, blunt tip
3312	TMJ/Wrist Probe
4147	Probe handle

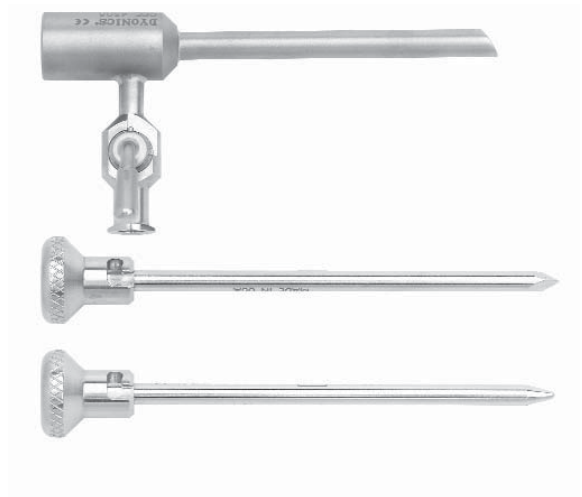


Small Joint Cannula Sets

Small Joint Cannula Sets





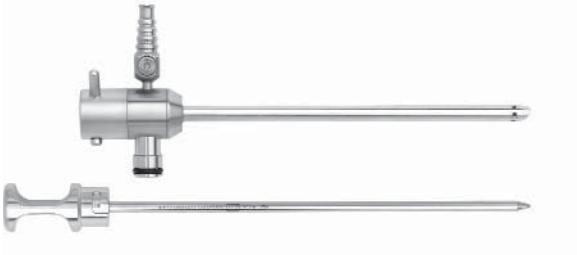

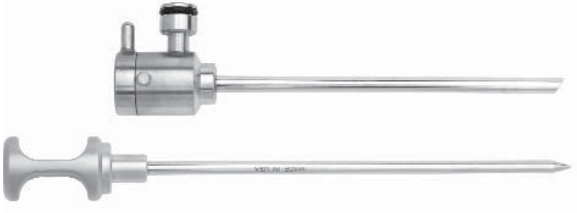

REF	Description
3714	2.9 mm Diagnostic Cannula Set for 2.7 mm LONG SCOPE with light post on OPPOSITE SIDE of direction of view
Set includes:	
4419	2.9 mm Cannula with flow port
3691	2.9 mm Trocar, sharp tip
3692	2.9 mm Obturator, conical tip



4317	3.6 mm Operative Cannula Set for 2.7 mm SHORT SCOPE with light post on OPPOSITE SIDE of direction of view
Set includes:	
4308	3.6 mm Operative Cannula, single-valve, fixed
4309	3.6 mm Sharp Trocar
4310	3.6 mm Obturator, conical tip

InteliJET[◇] Reusable Cannulas

InteliJET Reusable Cannulas

REF	Description
	4482 4.0 mm Arthroscopy Inflow Cannula Set for DYONICS [®] Arthroscopes with light post on OPPOSITE SIDE of direction of view
	Set includes:
	4355 6.0 mm Rotatable Cannula with finger post
	4356 Obturator, conical tip
	4549 4.0 mm Arthroscopy Inflow Cannula Set with flush valve For DYONICS Arthroscopes with light post on OPPOSITE SIDE of direction of view
	Set includes:
	4537 6.0 mm Rotatable Cannula with flush valve
	4356 Obturator, conical tip
	4481 2.7 mm Arthroscopy Inflow Cannula Set standard length for DYONICS Arthroscopes with light post on OPPOSITE SIDE of direction of view
	Set includes:
	4438 4.6 mm Rotatable Cannula with finger post
	4439 Obturator, conical tip
	⚙ 6900392 2.9 mm Rotatable Cannula, low flow, double-valve (use with 2.7 mm standard arthroscope)
	⚙ 6900284 2.9 mm Obturator for 2.9 mm Cannula (6900392)
	⚙ 72200121 4.6 mm Cannula, high-flow, rotatable, single-valve. Used with Obturator (4439)
	⚙ 7205999 3.8 mm Rotatable Cannula, double-valve
	⚙ 72201792 Rotatable Cannula, double-valve

Diagnostic Cannulas, Extended Length

For use with hip arthroscopy scopes REF 7211054 and 7211055

REF	Description
7211094	5.8 mm diagnostic cannula, with InteliJET inflow and valve, rotatable
7207898	4.5 mm Cannulated obturator for cannulas 7211075 and 7207913
8011677	FMS port O-ring
⚙ 7207913	5.8 mm Diagnostic cannula, double-valve, rotatable

InteliJET[®] Reusable Cannulas

InteliJET Reusable Cannulas

REF	Description
4525	2.7 mm Arthroscope Inflow Cannula Set — Short. For DYONICS [®] Arthroscopes with light post on OPPOSITE SIDE of direction of view
Set includes:	
4526	3.8 mm Rotatable Cannula with finger post
4527	Obturator, conical tip
⚙ 7207789	3.8 mm Rotatable Cannula, single-valve, short
⚙ 7205984	3.8 mm Rotatable Cannula with InteliJET inflow and valve
⚙ 7210715	3.8 mm Rotatable Cannula, double-valve, short
7205176	4.0 mm Storz [™] /Zimmer [™] /Linvatec [™] Arthroscope Inflow Cannula Set for 4 mm arthroscopes with light post on OPPOSITE SIDE of direction of view
Set includes:	
7205874	6.0 mm Rotatable Cannula with inflow spring lock interface and flush valve
7204810	Trocar
7204811	Obturator, conical tip
7204812	Obturator, blunt tip
7204479	Non-scope Inflow Cannula Set
Set includes:	
4359	3.0 mm Inflow Cannula
7204478	Obturator, conical tip
⚙ 72201751	2.9 mm Rotatable Cannula, double-valve
⚙ 72201752	2.9 mm Obturator for 72201751
⚙ 72201849	2.2 mm Rotatable Cannula, double-valve, short

Inflow Cap for InteliJET Cannulas

REF	Description
7209351	Inflow cap for InteliJET cannulas, metal
72202442	Portal cap, Luer lock interface
⚙ 72202791	3.0 mm Luer Cannula

Disposable Cannulas

CLEAR-TRAC[®] COMPLETE Disposable Cannula System



- Integrated triple-seal design
- Suture management system
- Removable cannula cap
- Tall thread configuration
- Transparent polycarbonate body
- Latex free design

Introducing the all new, updated CLEAR-TRAC COMPLETE Cannula System, enhanced with a robust triple-seal design and an integrated suture management system. These new features, combined with the many existing facets from the previous generation, provide a truly comprehensive cannula solution.

REF	Description	
CLEAR-TRAC COMPLETE Cannula Family (sterile, single-use, box of 10)		
72200902	8.5 mm x 90 mm Threaded Cannula, with disposable obturator, green, box of 10, sterile	BX
72200903	8.5 mm x 72 mm Threaded Cannula, with disposable obturator, green, box of 10, sterile	BX
72200904	8.5 mm x 45 mm Threaded Cannula, with disposable obturator, green, box of 10, sterile	BX
72200905	7.0 mm x 72 mm Threaded Cannula, with disposable obturator, grey, box of 10, sterile	BX
72200906	7.0 mm x 72 mm Smooth Cannula, with disposable obturator, grey, box of 10, sterile	BX
72200907	5.5 mm x 72 mm Threaded Cannula, with disposable obturator, blue, box of 10, sterile	BX
72200908	5.5 mm x 45 mm Threaded Cannula, with disposable obturator, blue, box of 10, sterile	BX
72200909	4.5 mm x 72 mm Threaded Cannula, with disposable obturator, purple, box of 10, sterile	BX

CLEAR-TRAC COMPLETE Reusable Obturators

72200910	8.5 mm x 90 mm Reusable Obturator (4.3 mm cannulation), green	EA
72200913	8.5 mm x 90 mm Reusable Solid Obturator, green	EA
72200911	8.5 mm x 72 mm Reusable Obturator (4.3 mm cannulation), green	EA
72200912	8.5 mm x 72 mm Reusable Obturator (1.5 mm cannulation), green	EA
72200914	8.5 mm x 72 mm Reusable Solid Obturator, green	EA
72200915	7.0 mm x 72 mm Reusable Obturator (4.3 mm cannulation), grey	EA
72200916	7.0 mm x 72 mm Reusable Obturator (1.5 mm cannulation), grey	EA
72201796	5.5 mm Reusable Obturator (4.3 mm cannulation), blue	EA



Accessories

3801	Switching Stick, 4.3 mm, not cannulated (13" long)	
------	--	--

Disposable Cannulas

CLEAR-TRAC^o FLEXIBLE Disposable Cannula System



- Integrated triple-seal design
- Suture management system
- Flexible body material
- Easy to thread, secure configuration
- Transparent body
- Capped flow port with optional disposable stopcock
- Latex free design

Introducing the all new, updated CLEAR-TRAC FLEXIBLE Cannula System. Made from a flexible body material, it provides excellent tactile feedback to help identify structures and may reduce the risk of significant tissue damage. Enhanced with a robust triple-seal design. CLEAR-TRAC FLEXIBLE cannulas also feature an integrated suture management system.

REF	Description
-----	-------------

CLEAR-TRAC FLEXIBLE Cannula Family (sterile, single-use, box of 10)

72200424	8.0 mm x 90 mm Threaded Cannula, with disposable obturator, lime green, box of 10, sterile	BX
72200425	8.0 mm x 72 mm Threaded Cannula, with disposable obturator, lime green, box of 10, sterile	BX
72200426	8.0 mm x 72 mm Smooth Cannula, with disposable obturator, lime green, box of 10, sterile	BX
72200427	6.5 mm x 72 mm Threaded Cannula, with disposable obturator, orange, box of 10, sterile	BX
72200428	6.5 mm x 72 mm Smooth Cannula, with disposable obturator, orange, box of 10, sterile	BX
72200429	5.5 mm x 72 mm Threaded Cannula, with disposable obturator and trocar, blue, box of 10, sterile	BX
72200430	5.5 mm x 55 mm Threaded Cannula, with disposable obturator and trocar, blue, box of 10, sterile	BX
72200431	5.5 mm x 55 mm Smooth Cannula, with disposable obturator and trocar, blue, box of 10, sterile	BX
72200432	5.5 mm x 45 mm Threaded Cannula, with disposable obturator and trocar, blue, box of 10, sterile	BX
72200433	4.5 mm x 72 mm Threaded Cannula, with disposable obturator, purple, box of 10, sterile	BX

CLEAR-TRAC FLEXIBLE Reusable Obturators

72200899	8.0 mm x 90 mm Reusable Obturator (4.3 mm cannulation), lime green	EA
72200900	8.0 mm x 72 mm Reusable Obturator (4.3 mm cannulation), lime green	EA
72201796	5.5 mm Reusable Obturator (4.3 mm cannulation), blue	EA
72201846	6.5 mm x 72 mm Reusable Obturator (4.3 mm cannulation)	EA



Accessories

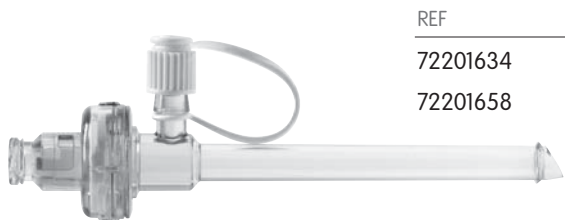
72200658	CLEAR-TRAC Disposable Stopcock	BX
3801	Switching Stick, 4.3 mm, not cannulated (13" long)	



Disposable Cannulas

CLEAR-TRAC[®] Scope/Shaver Cannula

The CLEAR-TRAC Disposable Scope/Shaver Cannula has been specifically designed with users of standard metal operative cannulas in mind. The unique hub design allows irrigation extenders and shaver blades to be connected directly to the cannula, while the integrated double-seal system keeps you dry.



REF	Description
72201634	CLEAR-TRAC Disposable Scope Shaver Cannula, smooth
72201658	CLEAR-TRAC Disposable Scope Shaver Cannula, with rib

CLEAR-TRAC Screw Cannula

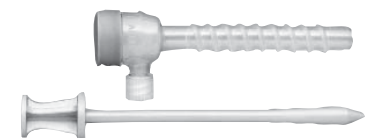
Provides graft protection and aids screw delivery during graft fixation.



REF	Description
7210118*	7.0 mm CLEAR-TRAC Screw Cannula, latex seal
7210119	8.0 mm CLEAR-TRAC Screw Cannula, latex seal
7210120	9.0 mm CLEAR-TRAC Screw Cannula, latex seal
7207227	7.0 mm CLEAR-TRAC Screw Cannula, latex-free seal
7207228	8.0 mm CLEAR-TRAC Screw Cannula, latex-free seal
7207229	9.0 mm CLEAR-TRAC Screw Cannula, latex-free seal

Single-use, sterile, box of 10

CLEAR-TRAC Threaded Cannula with Obturator



REF	Description
014718*	CLEAR-TRAC Threaded Cannula, 8.0 mm I.D., 76 mm long, green, latex-free seal
014719*	CLEAR-TRAC Threaded Cannula, 5.0 mm I.D., 76 mm long, blue, latex-free seal
7210121	CLEAR-TRAC Threaded Cannula, 8.0 mm I.D., 76 mm long, green, latex seal
7210122	CLEAR-TRAC Threaded Cannula, 5.0 mm I.D., 76 mm long, blue, latex seal

Includes obturator. Single-use sterile packs, box of 10

CLEAR-TRAC Threaded Cannula with Cannulated Obturator



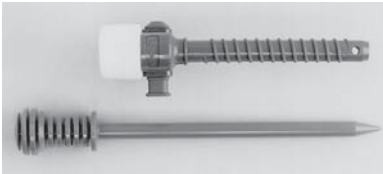
REF	Description
7207197	CLEAR-TRAC Threaded Cannula, 10 mm I.D., 76 mm long with 4.0 mm cannulated obturator, white, contains latex

Includes cannulated obturator. Single-use sterile packs, box of 10

* item shown

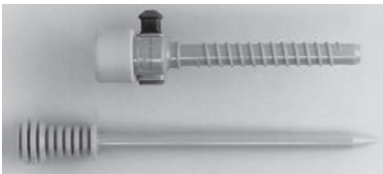
Disposable Cannulas

Disposable Cannula Sets with Distal Holes



REF	Description
4615	4.5 mm Cannula and Obturator, conical tip, distal holes, blue
4616	5.5 mm Cannula and Obturator, conical tip, distal holes, gray
4617	7.0 mm Cannula and Obturator, conical tip, distal holes, forest green
70 mm working length, threaded with seals, latex free, box of 6	

Disposable Cannula Sets without Distal Holes



7204895	5.5 mm Cannula and Obturator, conical tip, no holes, orange
7204896	7.0 mm Cannula and Obturator, conical tip, no holes, lime green
70 mm working length, threaded with seals, latex free, box of 6	

Universal Cannula – Includes Obturator and Trocar



014623	5.0 mm I.D., 55 mm long, blue, latex-free seal
012405	5.0 mm I.D., 76 mm long, blue, latex-free seal
012421	7.0 mm I.D., 76 mm long (includes obturator only), green, latex-free seal
7210126	5.0 mm I.D., 76 mm long, blue, latex seal
Single-use sterile packs, box of 10	

Cannulae

5.5 mm Cannulae, color-coded blue, solid body, no fluid seals (same style as fluid seal cannulae but no seal needed)

REF	Description
7209953	5.5 mm InteliJET® Cannula with distal holes and finger post same side as direction of view
7209954	5.5 mm InteliJET Cannula with finger post same side as direction of view (no holes)
7209957	5.5 mm InteliJET Cannula with distal holes and finger post opposite direction of view
7209958	5.5 mm InteliJET Cannula with finger post opposite direction of view (no holes)
7210384	5.5 mm Blunt Obturator for 5.5 mm color-coded blue cannulae
72200013	5.5 mm Conical Obturator with threaded interface for 5.5 mm color-coded blue cannula
72200014	5.5 mm Trocar with threaded interface for 5.5 mm color-coded blue cannula
72200012	5.5 mm Blunt Obturator with threaded interface for 5.5 mm color-coded blue cannula

5.0 mm Cannulae, color-coded red, solid body, no fluid seals (same style as fluid seal cannulae but no seal needed)

7209908	5.0 mm InteliJET Cannula with finger post same side as direction of view (no holes)
7209956	5.0 mm InteliJET Cannula with distal holes and finger post opposite direction of view
7209857	5.0 mm InteliJET Cannula with finger post opposite direction of view (no holes)
7209923	5.0 mm Trocar for 5.0 mm color-coded red cannulae
7210385	5.0 mm Blunt Obturator for 5.0 mm color-coded red cannulae
72200010	5.0 mm Conical Obturator with threaded interface for 5.0 mm color-coded red cannula
72200011	5.0 mm Trocar with threaded interface for 5.0 mm color-coded red cannula
72200009	5.0 mm Blunt Obturator with threaded interface for 5.0 mm color-coded red cannula

2.7 mm Arthroscope Cannulae (standard length)

7205989	3.8 mm Cannula, FMS, rotatable, with flush-valve
6900154	4.6 mm Cannula, FMS, rotatable, with flush-valve. Used with Obturator (4439)
7205993	Obturator

2.7 mm Arthroscope Cannulae (short length)

7205984	3.8 mm Cannula, FMS, rotatable, with flush-valve. Used with Obturator (4527)
6900513	Obturator, blunt tip, for 3.8 mm Cannula (4526)
7210715	3.8 mm Rotatable Cannula with double-valve
7207789	3.8 mm Rotatable Cannula with single-valve

Cannulae

Cannulae

REF	Description
⚙️ 6900022Z	2.9 mm Cannula, Short, with single-valve
⚙️ 4491	4.5 mm Diagnostic Cannula, single-valve, rotatable
⚙️ 7205372	4.5 mm Diagnostic Cannula, double-valve, fixed body
⚙️ 3134300	4.5 mm, no holes, finger post opposite direction of view
⚙️ 6900215Z	4.5 mm Cannula, Operative, with finger post same side as direction of view
⚙️ 6900237Z	5.0 mm InteliJET [®] Cannula with distal holes and finger post opposite direction of view
⚙️ 6900084Z	5.5 mm InteliJET Cannula with distal holes and finger post same side as direction of view
⚙️ 6900167Z	5.5 mm InteliJET Cannula with distal holes and finger post opposite direction of view
⚙️ 6900092Z	5.5 mm InteliJET Cannula with finger post opposite direction of view (no holes)
⚙️ 6900106Z	5.5 mm InteliJET Cannula with finger post same side as direction of view (no holes)
⚙️ 72201374	6.0 mm High Flow Cannula, Diagnostic, Rotatable, single-valve, with Storz [™] spring loaded interface
⚙️ 72201375	6.0 mm High Flow Cannula, Diagnostic, Rotatable, double-valve, with Storz spring loaded interface

Trocar

⚙️ 6900279Z	5.5 mm Trocar for use with 5.5 mm InteliJET Cannulae
-------------	--

Irrigation Extenders

⚙️ 7209959	Irrigation Extender for color-coded cannula sets, single valve, rotatable
⚙️ 4493	Irrigation Extender, double-valved, rotatable
⚙️ 72201451	Irrigation Extender, single-valve, rotatable, removable

Miscellaneous

⚙️ 6900274	3.0 mm Inflow Cannula with six distal holes. Used with Obturator (7204478)
⚙️ 7210284	3.0 mm Inflow Cannula, 90°, no obturator.

Replacement O-Rings

Cannulas	O-Ring: Scope Side	O-Ring: Cannula Side	O-Ring: FMS Port
3671	8006517		
3672	8006517		
3781	8006517		
3865	8010199 (2 each)		
3869	8006653		
4308	8003734		
4355	8006653		8011677
4359			8011677
4419	8006517		
4438	8010199		8011677
4491	8006653		
4492	8006653		
4526	8010199		8011677
4537	8006653		8011677
7205372	8006653		
7205874			8011677
72200829	8006653		
72200830	8006653		

Irrigation Extenders	O-Ring: Scope Side	O-Ring: Cannula Side	O-Ring: FMS Port
2705	8006653	8006652 (2 each)	
3708	8006653	8006652 (2 each)	
3814	8006653	8006652 (2 each)	
4493	8006653	8006652 (2 each)	
7205370	8006653	8006652 (2 each)	
7205371	8006653	8006652 (2 each)	8011677
4355	8006653	8006652 (2 each)	8011677
72200083	8006653	8006652 (2 each)	
72200084	8006653	8006652 (2 each)	
72200004	8006653	8006652 (2 each)	8011677

ARTHROPAK

Customized Procedure Kit



ARTHROPAK Customized Procedure Kit

Smith & Nephew DYONICS® ARTHROPAK Customized Procedure Kits provide increased operational efficiencies and reduced supply expense. You customize your kit with your selection of disposable Smith & Nephew products for any arthroscopic procedure at a reduced cost!

- Free customized service
- Reduced product cost
- Save valuable time and demand on staff
- Streamlined ordering process
- Increased standardization
- Reduced inventory

DYONICS ARTHROPAK Customized Procedure Kits reduce the number of SKUs that need to be ordered and aggregate purchasing volume of arthroscopic products by enabling purchase from a single supplier. Please ask your local sales representative to demonstrate how DYONICS ARTHROPAK Customized Procedure Kits can benefit your practice.

